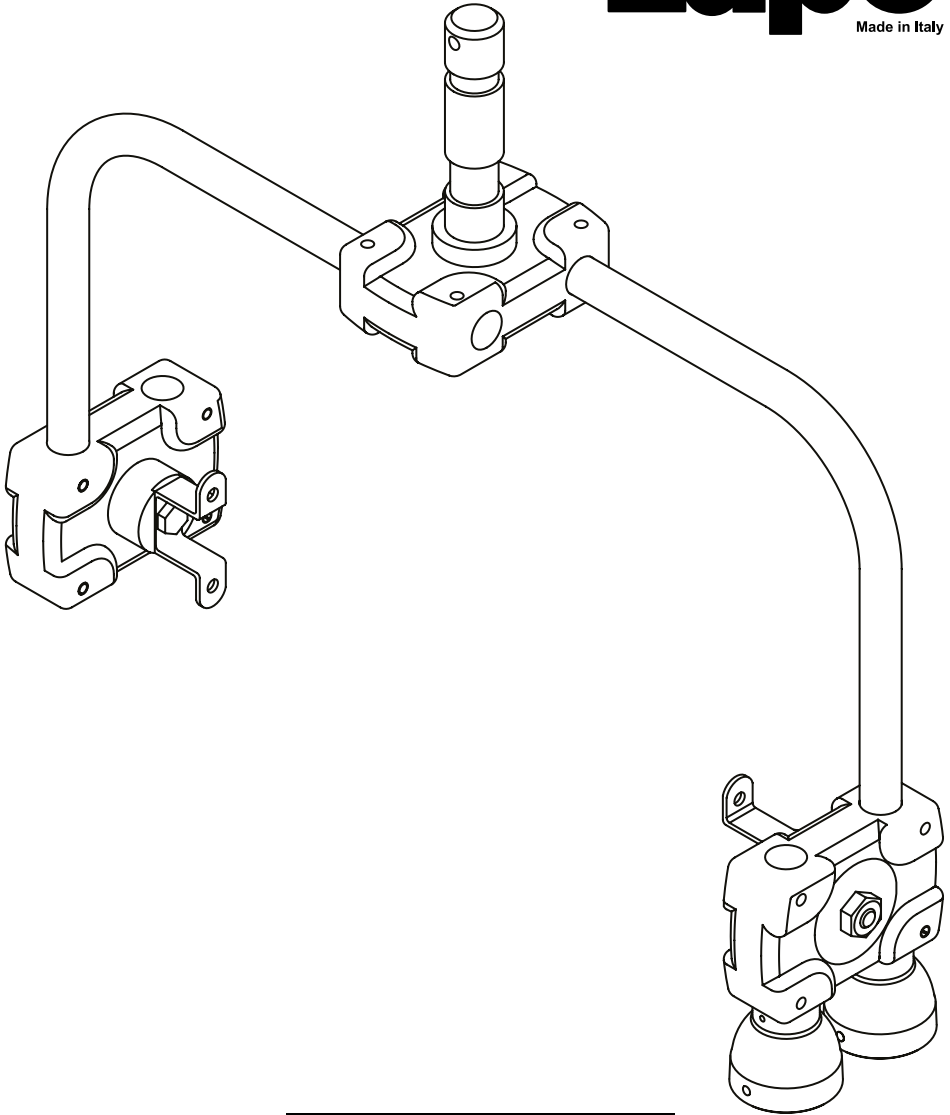


**Lupo**  
Made in Italy



---

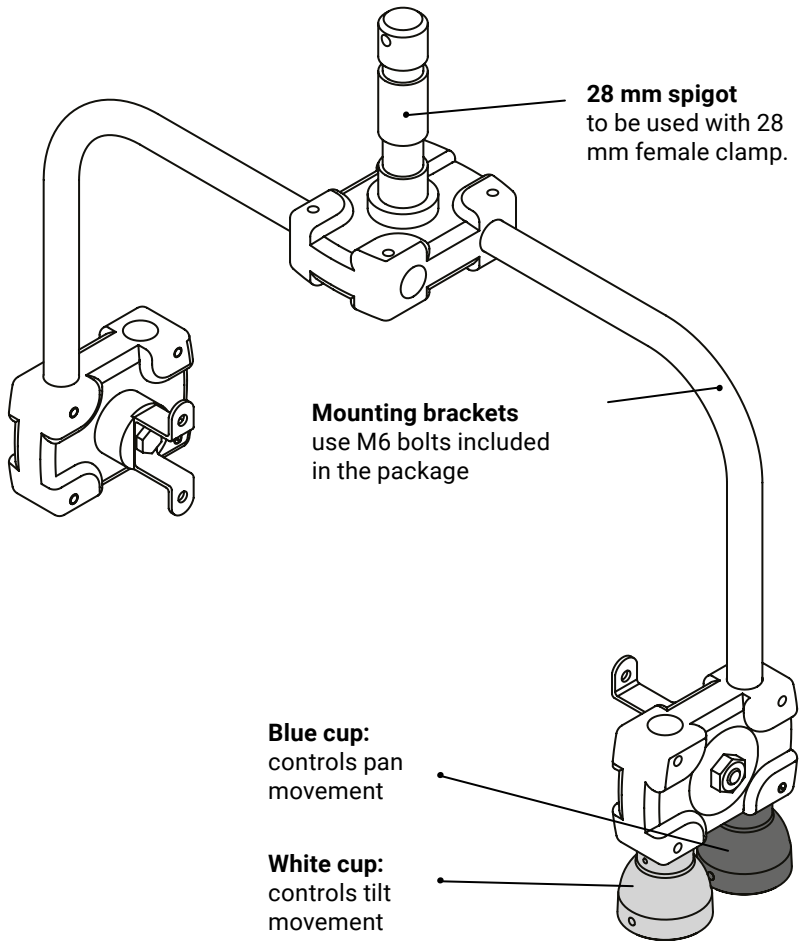
**User Manuals**

# **Pole Operated Yoke**

## Technical Drawing

### Models:

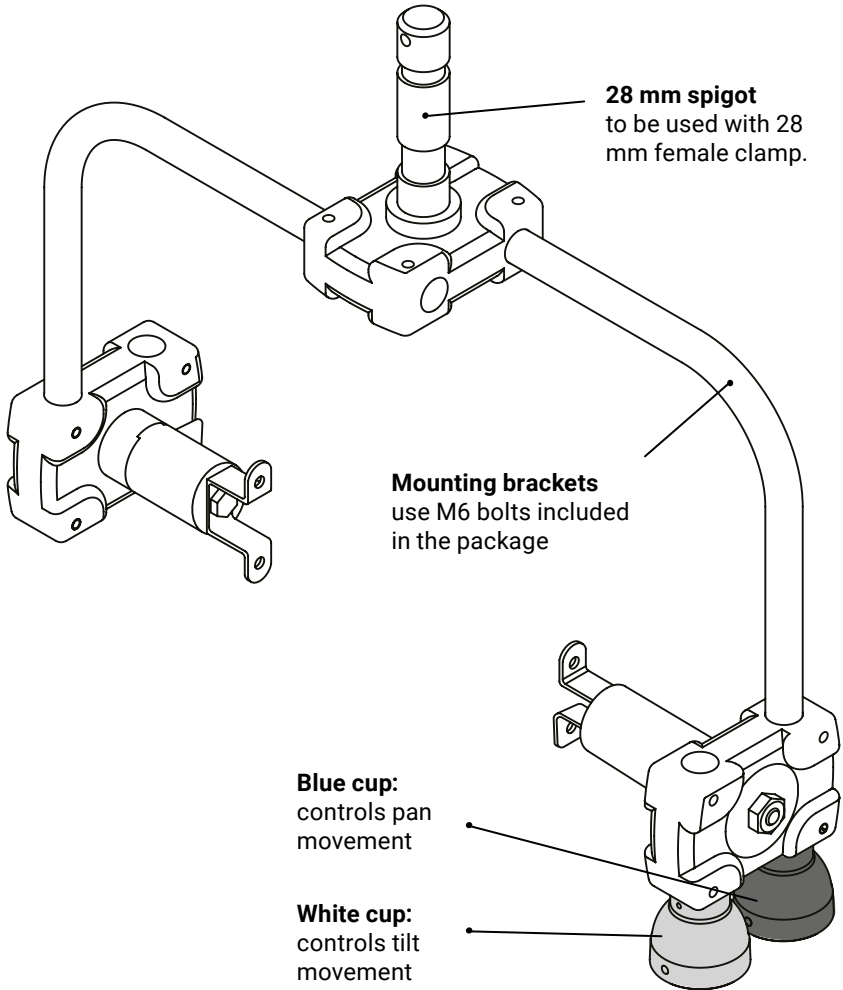
- HYPERPANELPRO
- ULTRAPANELPRO
- SUPERPANELPRO

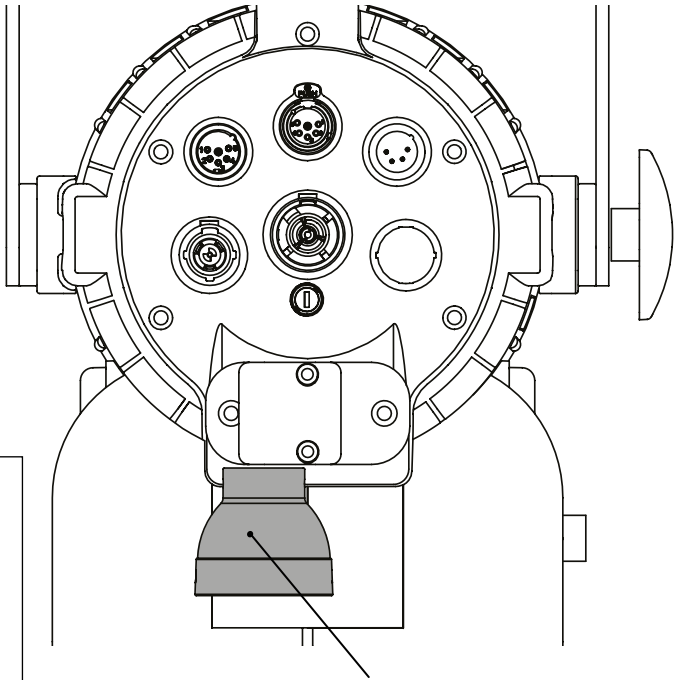


## Technical Drawing

### Models:

- DAYLEDPRO
- MOVIELIGHTPRO





**NOTE:**

**Lupo pole operated yoke functioning is common for all models.**

**Yellow cup for focus movement is present only in DayledPRO and Movielight models.**

**Yellow cup:**  
controls focus movement

## ATTENTION

**For best use of pole operated models, please note:**

- The fixture should be free to move in pan and tilt direction. If movement is blocked or restricted the pole operated yoke mechanism could break;
- When using focus movement please make sure not to use excessive force;
- Please use always safety cables;
- Do not tamper with the pole operated yoke mechanism;
- For the device movement use **ONLY** the specific cups;
- **Lupo pole operated yokes are compatible only with Lupo fixtures.**